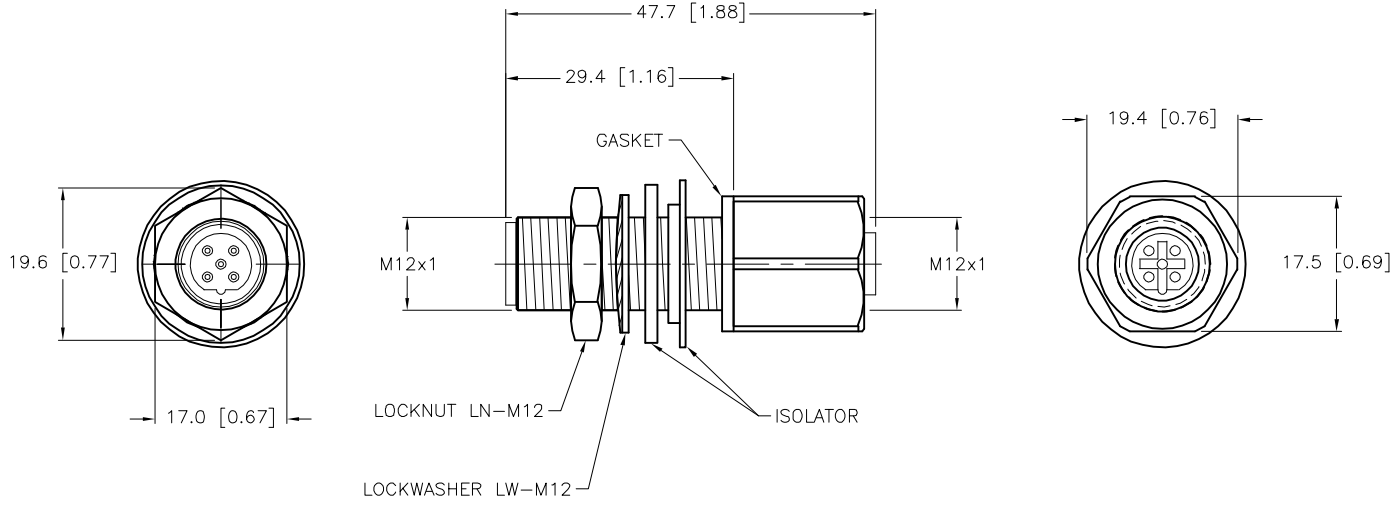


SPECIFICATIONS	
CONTACT CARRIER MATERIAL	NYLON OR TPU
CONTACT MATERIAL/PLATING	BRASS/GOLD
HOUSING MATERIAL/PLATING	BRASS/NICKEL
GASKET MATERIAL	NITRILE
ISOLATOR MATERIAL	NYLON
RATED CURRENT [A]	4.0 A
RATED VOLTAGE [V]	150 V
NUMBER OF CONDUCTORS [AWG]	5x22 AWG
TEMPERATURE RANGE	-40°C to +105°C (-40°F to +221°F)
PROTECTION CLASS	MEETS NEMA 1,3,4,6P AND IEC IP67



SOURCE DRAWING - FOR REFERENCE ONLY

NOTES:
1. CONNECTOR KEYWAY POSITIONS ARE REFERENCE ONLY. KEYWAYS MAY BE IN ANY POSITION.

RELATED DOCUMENTS		3RD ANGLE PROJECTION		THIS DRAWING IS CONFIDENTIAL AND THE PROPERTY OF TURCK INC. USE OF THIS DOCUMENT WITHOUT WRITTEN PERMISSION IS PROHIBITED.		3000 CAMPUS DRIVE MINNEAPOLIS, MN 55441 1-800-544-7769 (763) 553-7300 (763) 553-0708 fax www.turck.us	
1.				DRFT	CBM	DATE	03/16/99
2.				APVD		SCALE	1=1.0
3.		ALL DIMENSIONS DISPLAYED ON THIS DRAWING ARE FOR REFERENCE ONLY		UNIT OF MEASUREMENT		DESCRIPTION FKW FSW 45/M12	
4.				MILLIMETER [INCH]			
MATERIAL		CONTACT TURCK FOR MORE INFORMATION		IDENTIFICATION NO.		REV	
FINISH				U5098-0		G	
G		ADD KEYWAY NOTE		NF		06/15/15 49971	
REV		DESCRIPTION		BY		DATE ECO NO.	
				DO NOT SCALE THIS DRAWING		FILE: U5098-0 SHEET 1 OF 1	